

**MALLORY****Mallory Sonalert Products Inc.**

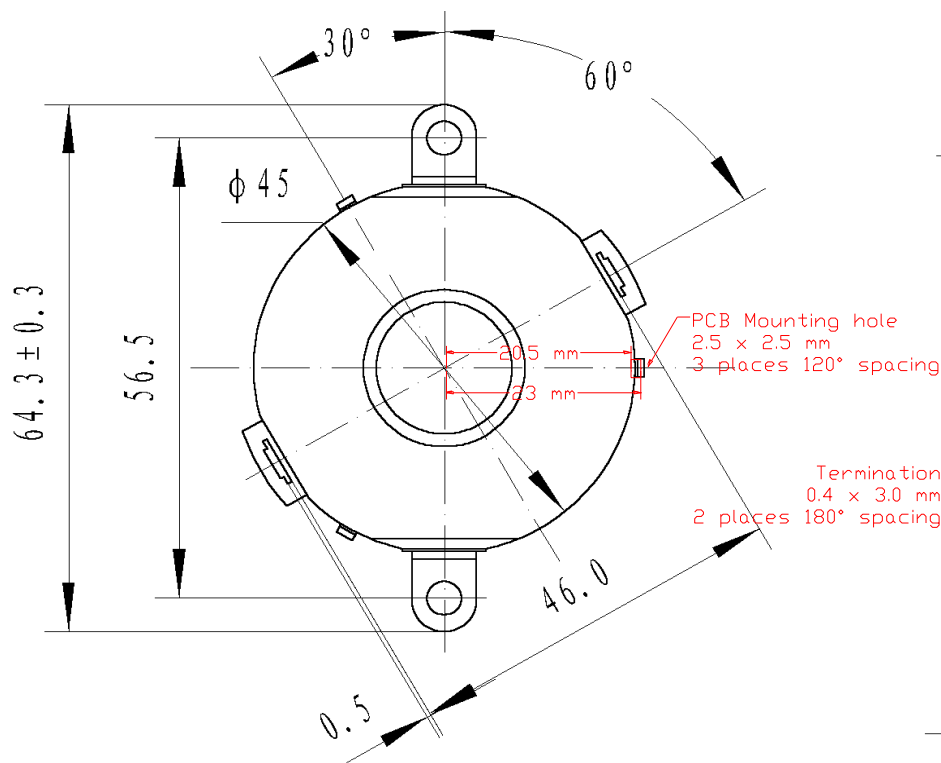
Part #

**PT-4532PLQ****Sales Outline Drawing**

Revision

**E****May not be suitable for all medical and aerospace applications.****Specifications: Contact Mallory Sonalert to discuss your application.**

Resonant Frequency (Hz)	3200 ± 500
Operating Voltage (V <sub>p-p</sub> /max)	3 ~ 50
Rated Voltage (V <sub>p-p</sub> )	12
Current Consumption (mA/max)	30 at Rated Voltage
Sound Pressure Level (dB/min)	100 at 50cm at Rated voltage
Capacitance (pF)	25,000 ± 30% at 120 Hz
Operating Temperature (°C)	-40 ~ +95
Storage Temperature (°C)	-40 ~ +105
Housing	PAG plastic resin (Color: Black)
Lead Pins	Tin Plated Brass
Weight (Grams)	11.0
Condition by wave soldering (°C)	245 ±5 / 3±0.5 sec
Condition by hand soldering (°C)	350 ±20 / within 5 sec
Options	For other options contact factory

**NO CIRCUITRY****Dimensions:** (units: mm)**ROHS Compliant**