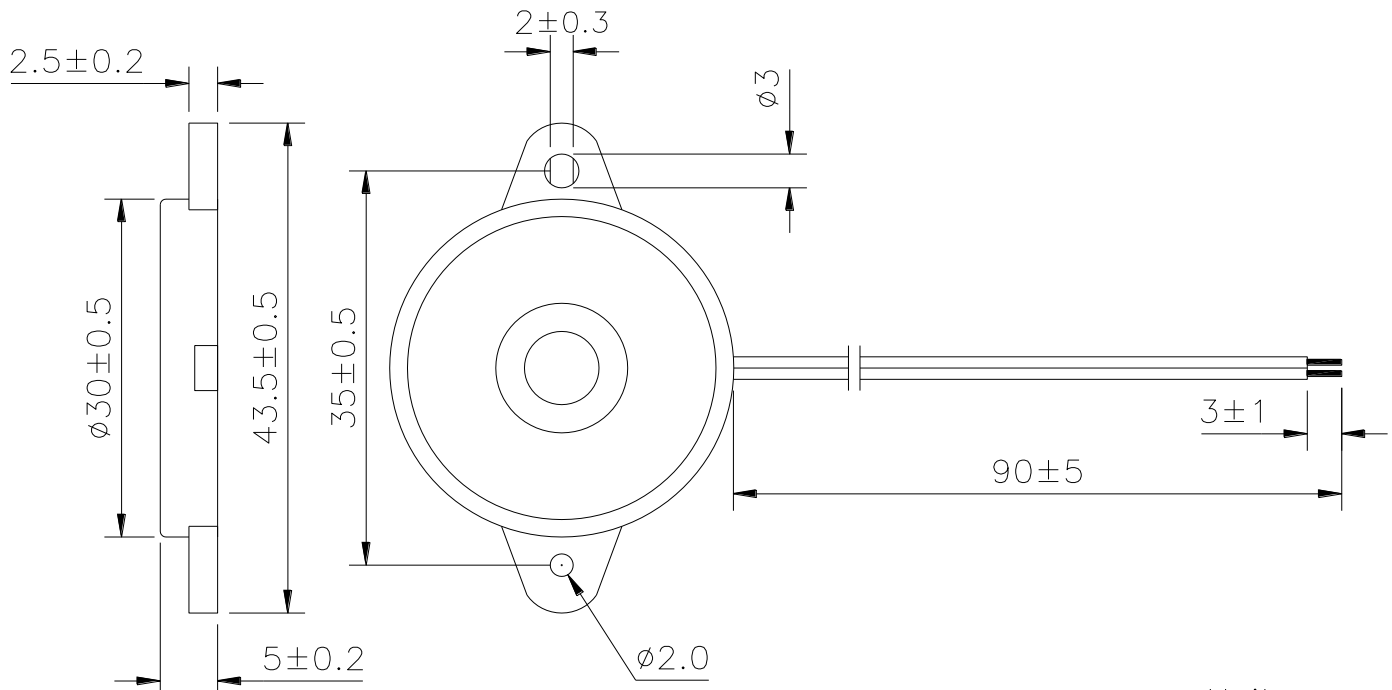


Sales Outline DrawingRevision **A****May not be suitable for all medical and aerospace applications.****Specifications: Contact Mallory Sonalert to discuss your application.**

Resonant Frequency (Hz)	4500 ± 500
Operating Voltage (Vp-p/max)	30
Rated Voltage (Vp-p)	5.0
Current Consumption (mA/max)	1.5 at Rated Voltage
Sound Pressure Level (dB/min)	90 at 10cm at Rated voltage
Capacitance (pF)	20,000 ± 30% at 120 Hz
Operating Temperature (°C)	-20 ~ +70
Storage Temperature (°C)	-30 ~ +80
Housing	ABS 777D UL94HB plastic resin (Color: Black)
Lead Wires	28 AWG Red + Black
Terminal	Molex Micro-Fit 3.0 PN: 43025 Mates with:43020-0201
Weight (Grams)	4.6
Options	For other options contact factory

NO CIRCUITRY**Dimensions:** (units: mm)**PS: Vp-p = 1/2 duty, Square Wave****ROHS Compliant****Connector:**