



Mallory Sonalert Products, Inc.

Part #: **JT120-Y-CD**

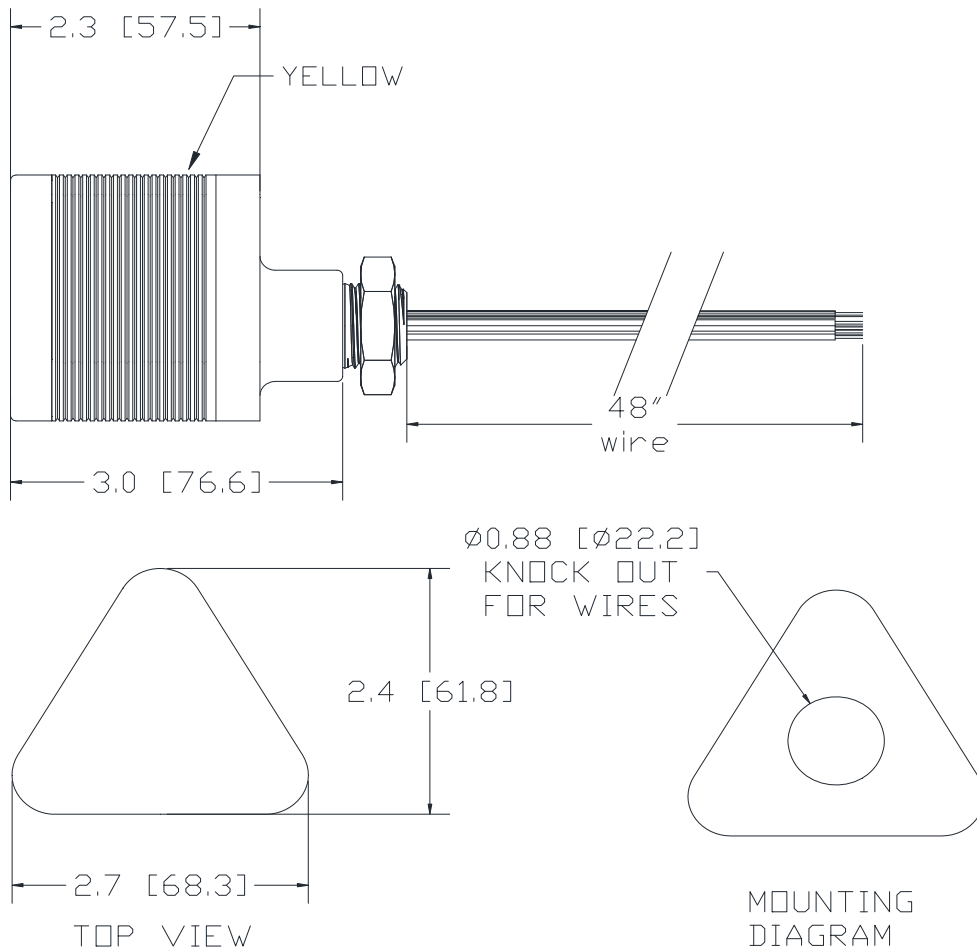
Sales Outline Drawing

Revision: **A**

Specifications:

Stack Number:	1			
LED Color:	YELLOW			
Connection Wires:	Yellow and Brown			
LED Current Draw:	<230mA			
Rated Voltage:		120 VAC		
Operating Voltage:		90-120 VAC		
Operating Temperature:		-25° ~ +60°C		
Lens Color:		Opaque White		
Material:		ABS FR15U		
Mounting Method:	Direct Mount using 1/2" NPT Stainless Steel Pipe and Nut			
Weight Typical (g):	160			
NEMA 12:	Approved			
Options:	Please contact factory.			

Dimensions: Inches (mm) **cUL Recognized** **ROHS Compliant**



LED OPERATION: CONNECT STACK COLOR WIRE TO POWER AND BROWN WIRE TO POWER.