



**Mallory Sonalert Products, Inc.**

Part #: **JT120-G-CD**

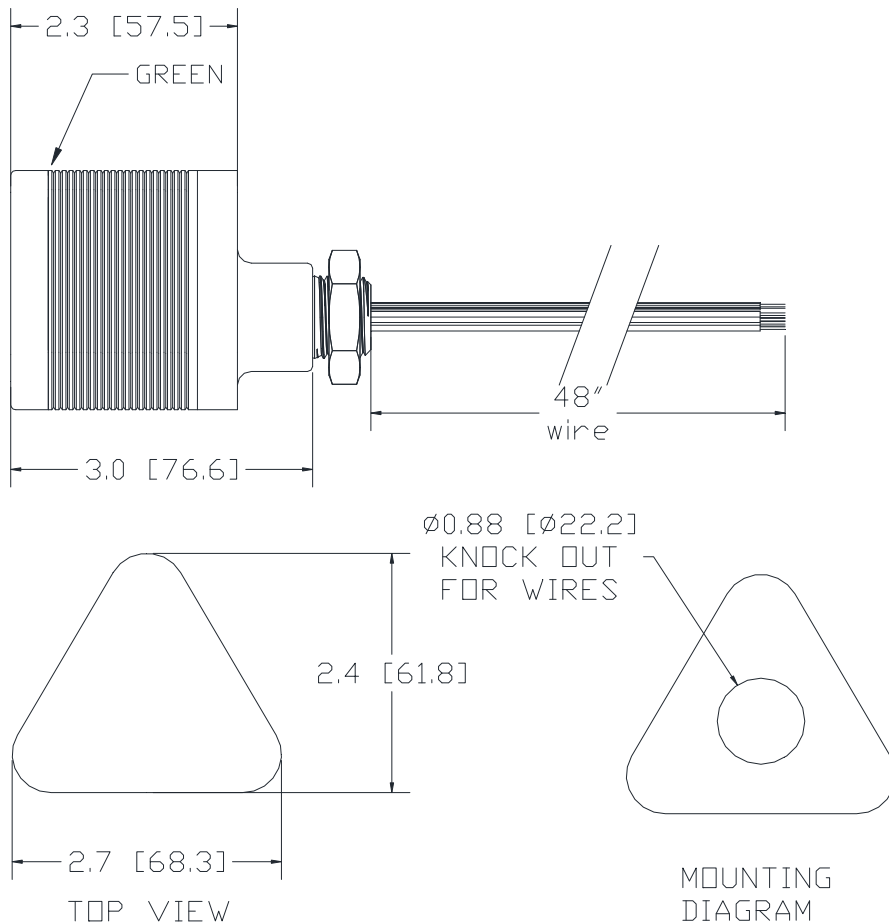
**Sales Outline Drawing**

Revision: **B**

**Specifications:**

Stack Number:	1				
LED Color:	GREEN				
Connection Wires:	Green and Brown				
LED Current Draw:	<190mA				
Rated Voltage:	120 VAC				
Operating Voltage:	90-120 VAC				
Operating Temperature:	-25° ~ +60°C				
Lens Color:	Opaque White				
Material:	ABS FR15U				
Mounting Method:	Direct Mount using 1/2" NPT Stainless Steel Pipe and Nut				
Weight Typical (g):	160				
NEMA 12:	Approved				
Options:	Please contact factory.				

**Dimensions:** Inches (mm) **cUL Recognized** **ROHS Compliant**



**LED OPERATION:** CONNECT STACK COLOR WIRE TO POWER AND BROWN WIRE TO POWER.