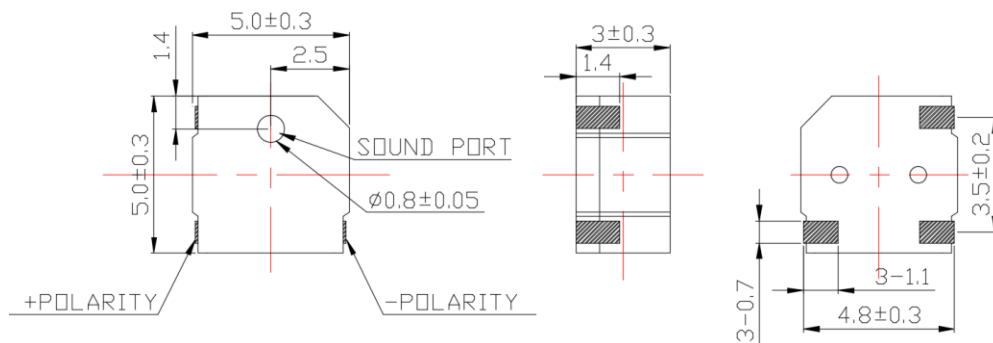
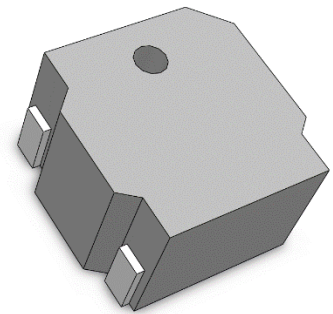


**May not be suitable for all medical and aerospace applications.
Specifications: Contact Mallory Sonalert to discuss your application.**

NO CIRCUITRY

Oscillation Frequency (Hz)	4000
Operating Voltage (V _{pp})	2 ~ 4
Rated Voltage (V _{pp})	3.6
Current Consumption Max. (mA)	110 at Rated Voltage
Sound Pressure Level Min. (dB)	80 at 10cm at Rated Voltage
Coil Resistance (Ω)	12 ± 3
Operating Temperature (°C)	-20 ~ +60
Storage Temperature (°C)	-30 ~ +80
Housing	LCP Plastic Resin (Color: Black)
Type of Connection	SMD
Condition by wave soldering (°C)	250 ±5 / within 10 sec
Condition by hand soldering (°C)	350 ±20 / within 5 sec
Weight (Grams)	0.6
Options	For other options contact factory

Dimensions: (units: mm)**ROHS Compliant**

Packaging: Parts are supplied on tape-and-reel, 1000 pcs/reel.

Units do not come with wash label and are not appropriate for aqueous wash.

