



Mallory Sonalert Products, Inc.

Part #:

JR16-RG-4

Sales Outline Drawing

Revision:

A

Specifications:

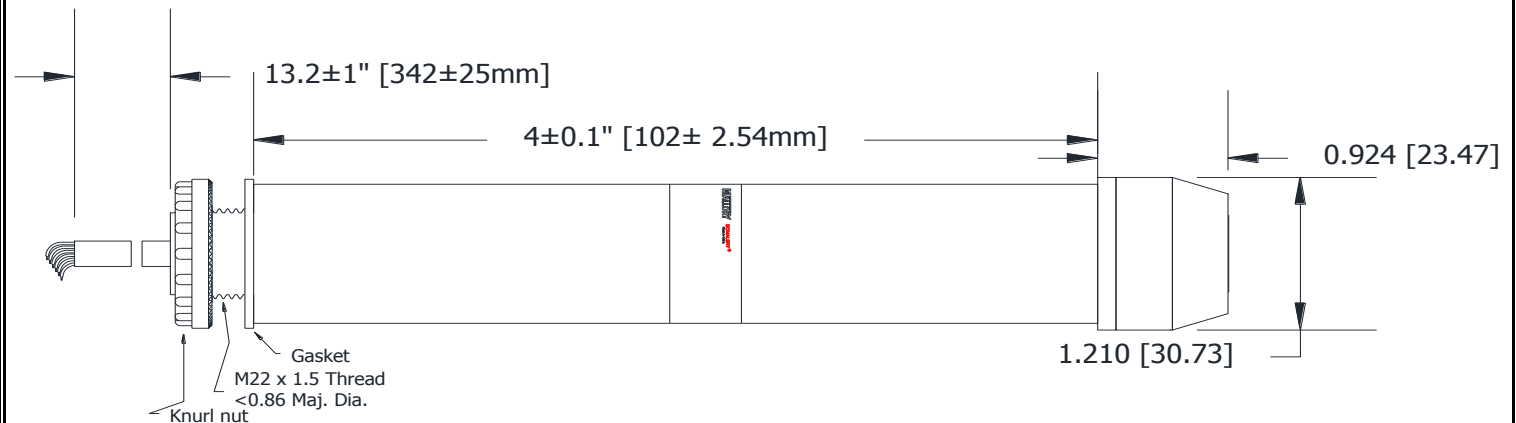
Voltage Rating	9 to 16 VDC	
Stack Level	BOTTOM	TOP
LED Color	GREEN	RED
LED Current Draw	25mA max	60mA MAX
Total Max Current Draw	85mA MAX	
Housing Material	6/6 Nylon, Color: Black	
Top Cap / Lens Material	6/6 Nylon, Color: Opaque White	
Storage Temperature	-40° to +70° C	
Operating Temperature	-30° to +60° C	
Mounting	Recommended hole size is 22.5 mm.	
Knurled Nut	The max recommended torque is 10 in-lbs.	
Cable	Gray, UL Style 21894, 300V, 105°C, 24AWG, Pb-Free Tinned Leads	
Weight (Typical)	108 grams	
NEMA 12	Approved with use of included gasket.	
Options	Please contact factory.	

Dimensions:

Inches (mm)

cUL Recognized

ROHS Compliant



Connections:

BOTTOM BROWN wire to Ground and GREEN wire to Positive

TOP BROWN wire to Ground and RED wire to Positive