

May not be suitable for all Medical and Aerospace applications.

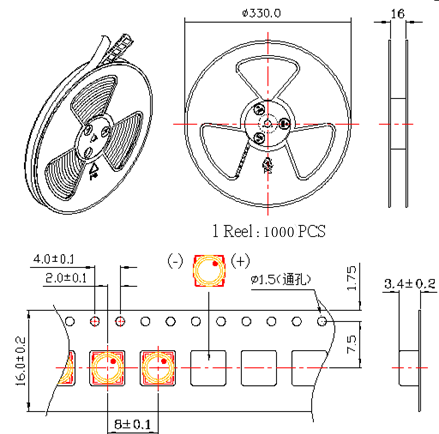
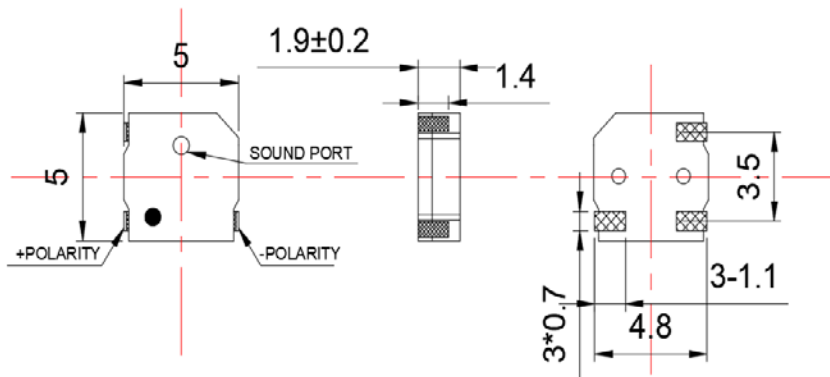
Contact Mallory Sonalert to discuss your application.

NO CIRCUITRY

Oscillation Frequency (Hz)	4000
Operating Voltage (V _{pp})	2 ~ 4
Rated Voltage (V _{pp})	3.0
Current Consumption Max. (mA)	110 at Rated Voltage
Sound Pressure Level Min. (dB)	75 at 10cm at Rated Voltage
Coil Resistance (Ω)	12 ± 3
Operating Temperature (°C)	-20 ~ +70
Storage Temperature (°C)	-30 ~ +80
Housing	LCP Plastic Resin (Color: Black)
Type of Connection	SMT
Condition by wave soldering (°C)	250 ±5 / within 5 sec
Condition by hand soldering (°C)	350 ±20 / within 5 sec
Weight (Grams)	0.13
Options	For other options contact factory

Dimensions: (units: mm)

ROHS Compliant



Packaging: Parts are supplied on tape-and-reel, 1000 pcs/reel.

Units do not come with wash label and are not appropriate for aqueous wash.